

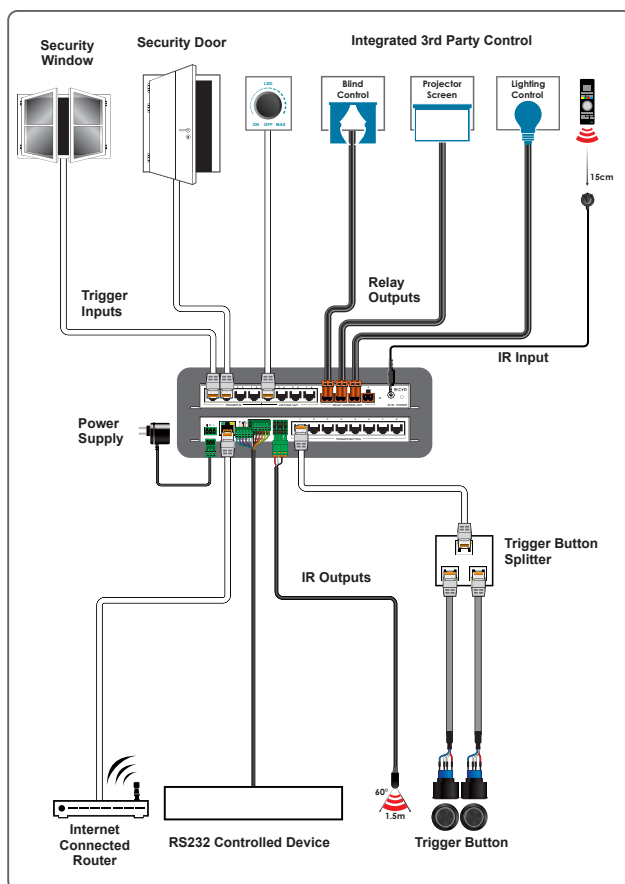


This product is ideal for any user who has a wide variety of devices that need to be controlled. It comes with 16 external trigger connections which can be activated using the traditional twin-wire short method, or using our specially designed Trigger Buttons. Each trigger directly activates 1 of 16 associated user defined macro events stored within the unit. Those user defined macros can control remote devices via Ethernet, IR, serial port (RS-232/422/485), relay, or direct voltage allowing for the control of a large array of devices at the push of a button. An integrated IR code learning function is also available, allowing the user to store and re-transmit the IR codes sent by nearly any standard IR remote.

PANELS



DIAGRAM



FEATURES

- 16 trigger inputs linked directly to 16 user macros allowing for instant control activation
- 16 additional macros (32 total) that can be activated via Ethernet, or on a defined schedule
- 16 variable voltage outputs for controlling low power devices (20mA total) or activating external triggers
Note: Trigger Buttons and Voltage Out ports cannot be used at the same time.
- 1 IR input for IR code learning functionality and 4 IR output
- 4 power relays to control devices such as projector screens, lighting, etc
- Can optionally be powered via PoE (802.3at Type 2)
- 2 serial ports for controlling RS-232/422/485 devices
- Battery backed up clock for scheduling events
- Controllable via WebGUI, Telnet, and external triggers
- Case is designed to be installed within our 6U Rack Chassis or it can be mounted directly onto any flat surface

SPECIFICATIONS

Interfaces

Control I/O	
	4 Relay (2-pin terminal block)
	1 IR Receiver (3.5mm)
	4 IR Extender (4x2-pin Terminal Block)
	1 Control (RJ-45)
	2 Serial (6-pin terminal block)
	16 Trigger (RJ-45)
	16 Voltage out (RJ-45)
	16 Trigger Button (RJ-45)
	1 USB (Type A)

Power

Power Supply	24V/ 1A DC (Locking)
Power Consumption	3.63W

Enclosure

Chassis Material	Metal (Steel)
Chassis Color	Black
Dimensions (WxHxD)	231.5mmx25mmx108mm [Case Only] 231.5mmx25mmx117mm [All Inclusive]
Weight	250g

Field Firmware Update

USB Flash Drive, WebGUI

ORDERING INFORMATION

Model No.	Product Description
CDPS-MF501	System Control Center
CDPS-TG102	1x2 Trigger Button Splitter
CBL-MPBCAT-10	Trigger Button



CDPS-TG102



CBL-MPBCAT-10

CDPS-TG102

Input Port	1 RJ45
Output Ports	1 RJ45

Enclosure

Chassis Material	Metal (Steel)
Chassis Color	Black
Dimensions (WxHxD)	50mmx25mmx52mm [Case Only]
Weight	60g